



INSTRUCTION BULLETIN

No. 9021197
Machine: M17
Published: 03-2021
Rev. 00

NOTE: DO NOT DISCARD the Parts List from the Instruction Bulletin. Place the Parts List in the appropriate place in the machine manual for future reference. Retaining the Parts List will make it easier to reorder individual parts and will save the cost of ordering an entire kit.

NOTE: Numbers in parenthesis () are reference numbers for parts listed in Bill of Materials.

Installation instructions for **kit number 9021198**

Kit installation must be performed by TennantTrue[®] service or an authorized service provider.

SYNOPSIS:

This kit contains the parts needed to replace the knob needed to secure the sweep idler plate to the M17 sweeper- scrubber. The M10 hex screw installed inside the sweep compartment will provide a stud for the star knob to be tightened onto to secure the sweep idler plate to the machine. Please follow step-by-step instructions.

SPECIAL TOOLS / CONSIDERATIONS: NONE

(Estimated time to complete: 10 minutes)



PROTECT THE ENVIRONMENT

Please dispose of packaging materials, used machine components such as batteries and fluids in an environmentally safe way according to local waste disposal regulations.

Always remember to recycle.

PREPARATION:

FOR SAFETY: Before leaving or servicing machine, stop on level surface, turn off machine, set parking brake, and remove key.

1. Open the main sweeping brush compartment access door. (Fig. 1)



FIG. 1

INSTALLATION:

1. Remove the knob securing the sweep idler plate to the machine. Discard the knob. (Fig. 2/Fig. 4)



FIG. 2

- Remove the sweep idler plate from the machine. (Fig. 3)



FIG. 3

- Thread the M10 hex screw (2) into the weld nut location where the removed star knob was previously installed. (Fig. 4)
- Reinstall the sweep idler plate onto the machine. (Fig. 4)
- Tighten the new star knob (1) onto the M10 hex screw (2) previously installed into the weld nut to secure the sweep idler plate onto the machine. (Fig. 4)
- Close the main sweeping brush compartment access door. (Fig. 1)

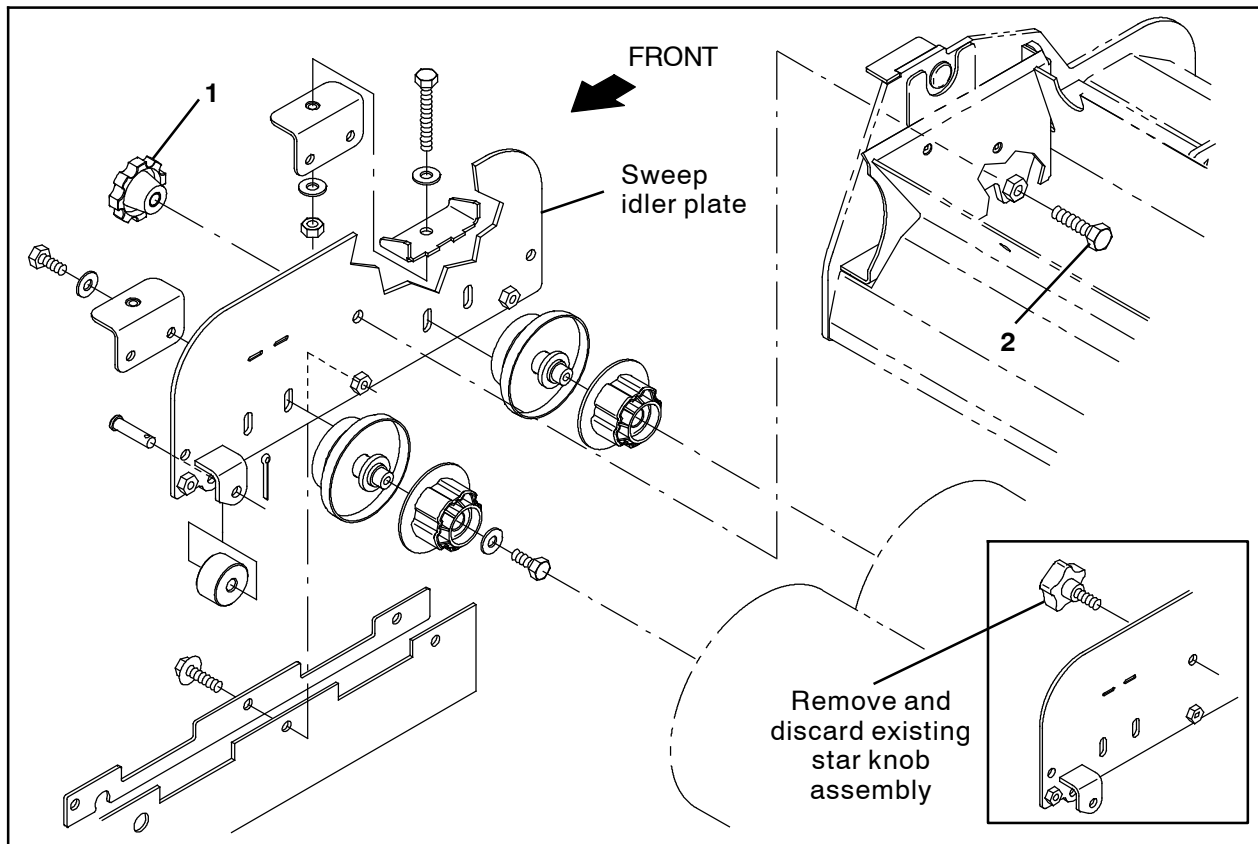


FIG. 4

Bill Of Materials For Kit, Knob Replace, Main Sweep [M17] - 9021198

| Ref. | Tennant Part No. | Description | Qty. |
|------|------------------|--|------|
| 1 | 1253707 | Knob, Star, 2.20D, M10X1.5X1.1L, Yel Nyl | 1 |
| 2 | 12317 | Screw, Hex, M10 X 1.50 X 30, SS | 1 |

TENNANT COMPANY
P. O. Box 1452
Minneapolis, MN 55440-1452